

Optical safety edge system

Vitector OSE system

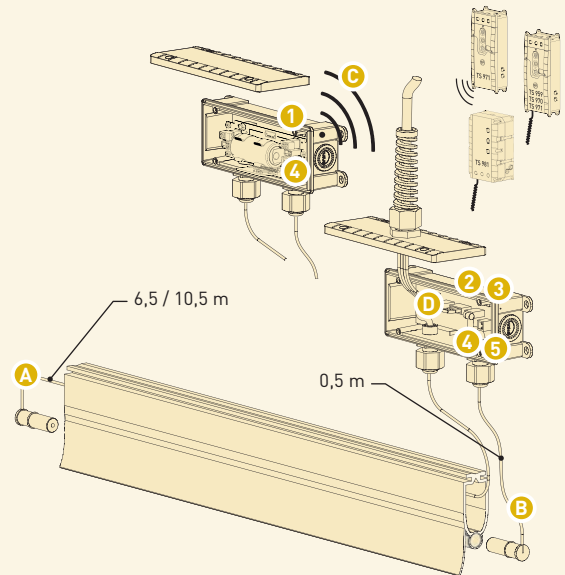
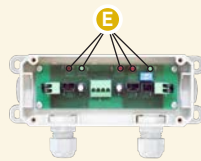
System 1 – with one junction box (1, 2 or 3)

The transmitter cable **A** is routed through the hollow space of the rubber profile to the junction box. The cable of the receiver **B** is routed directly to the junction box.

- For the WSD¹⁾ **1** the connection to the door control is made by radio **C**.
- When connecting with a spiral cable **2/3**, the connection to the door control is always pluggable **D**.
- The connections for the transmitter and receiver are pluggable **4** or screwable **5**.

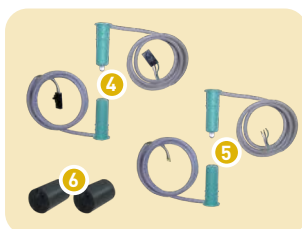
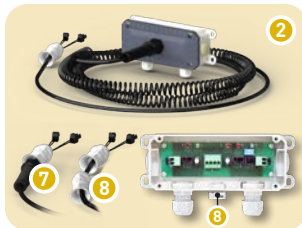
Only for **2**:

Independent the displayed functions of the door control the receiver and transmitter can be checked (function and voltage) by integrated LED **E**.



■ 1) Wireless Safety Device - can only be used with door control TS 971

Parts



Designation	Description	Part no.
WSD (with battery ²⁾ ; IP65	1 Wireless safety device [2,4 GHz] (can only be used with door control TS 971) - Evaluation for common safety-edge systems and for for pass-door and slack-rope switches - Pluggable connection technology - Wide operating range	30005154
Spiral cable with junction box; optical safety edge; pluggable; IP65	2 For transmitter / receiver also for pass-door and slack-rope switch, spiral length 0,9 m; stretches to max. 4 m; straight cable length 2,0 m/0,35 m straight cable length 2,0 m/0,35 m + kink protection 7 straight cable length 2,0 m/0,35 m + increased protection 8 ³⁾	20002620.00001 20002620.00019 20003156.00001
Spiral cable with junction box; optical safety edge; screwable; IP65	3 For transmitter / receiver also for pass-door and slack-rope switch, spiral length 0,9 m; stretches to max. 4 m; straight cable length 0,4 m/0,35 m straight cable length 2,0 m/0,35 m straight cable length 2,0 m/0,35 m + kink protection 7	20002340.00002 20002340.00008 20002340.00018
Universal OSE set; pluggable; IP68	4 Transmitter + receiver; version with pluggable terminals; receiver (0,5 m cable) and transmitter with 6,5 m cable 10,5 m cable	30005185.00650 30005185.01050
Universal OSE set; screwable; IP68	5 Transmitter + receiver; version with screwable terminals; receiver (0,5 m cable) and transmitter with 6,5 m cable 10,5 m cable	30005186.00650 30005186.01050
Complete systems		
Version 1	3+5 Consisting of: 20002340.00002+30005186.00650	30005004
Version 2	3+5+6 Consisting of: 20002340.00002+30005186.00650+2x40013321 ⁴⁾	30005225
Version 3	3+5+6 Consisting of: 20002340.00002+30005186.01050+2x40013321 ⁴⁾	30006069

■ 2) Average service life of 1.5 years, approx.

■ 3) Acid resistant cable+air vent+additional attachment

■ 4) Adapter for OSE, see page 9.005

■ Further accessories on page 9.005



Optical safety edge system

Vitector OSE system

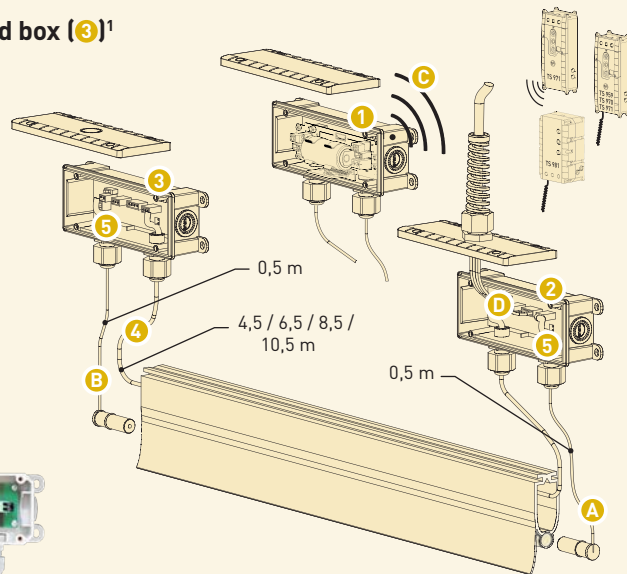
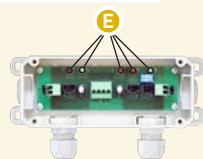
System 2 – with junction box (1 or 2) junction end box (3)¹

The cable of the transmitter **A** is routed to the junction box and the cable of the receiver **B** is routed to the junction end box (or vice versa). The connection line **4** is routed through the hollow space of the rubber profile to the junction box **1/2** and the junction end box **3**.

- For the WSD **1** the connection to the door control is made by radio **C**.
- When using a spiral cable **2**, the connection to the door control is always pluggable **D**.
- The connections for the transmitter and receiver are also pluggable **5**.

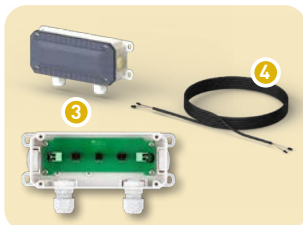
Only for **2**:

Independent of the displayed functions of the door control the receiver and transmitter can be checked (function and voltage) by integrated LED **E**.



■ **1)** For example, suited for connecting two slack-rope switches

Parts



Designation	Description	Part no.
WSD (with battery ²⁾ ; IP65	1 Wireless safety device (2,4 GHz) (can only be used with door control TS 971) - Evaluation for common safety-edge systems and for for pass-door and slack-rope switches - Pluggable connection technology - Wide operating range	30005154
Spiral cable with junction box; optical safety edge; pluggable; IP65	2 For transmitter / receiver also for pass-door and slack-rope switch, spiral length 0,9 m; stretches to max. 4 m; straight cable length 2,0 m/0,35 m straight cable length 2,0 m/0,35 m + kink protection 6 straight cable length 2,0 m/0,35 m + increased protection 7 ³⁾	20002620.00001 20002620.00019 20003156.00001
Junction end box; IP65	3 With plug-in connection for transmitter / receiver also for pass-door and slack-rope switch	30004834
Connection cable; pluggable	4 Plugs fitted on either side, 5-core 4,5 m 6,5 m 8,5 m 10,5 m	20002630.00450 20002630.00650 20002630.00850 20002630.01050
Universal OSE set; pluggable; IP68	5 Transmitter + receiver; Version with pluggable terminals; each with 0,5 m cable	30005185.00060

■ **2)** Average service life of 1.5 years, approx.

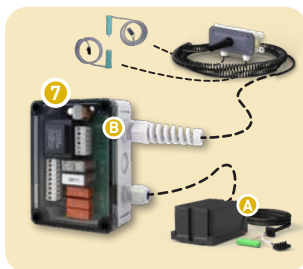
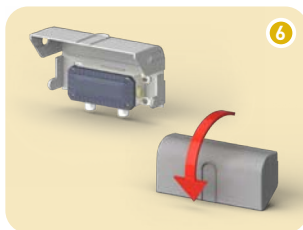
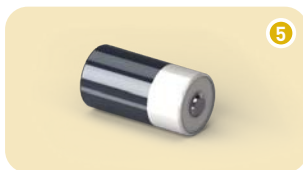
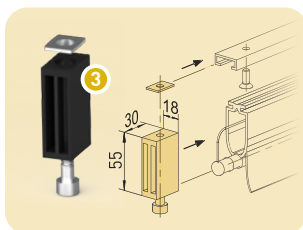
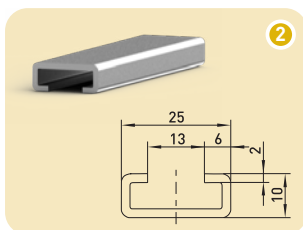
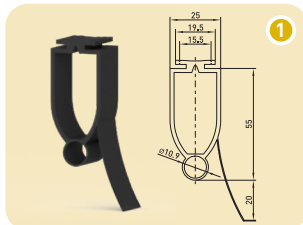
■ **3)** Acid resistant cable+air vent+additional attachment

■ **4)** Further accessories on page 9.005

Optical safety edge system

Vitector OSE system

Accessories



Designation	Description	Part no.
Rubber profile OSE-D-P-11-25/75	1 3 m 5 m 7 m 10 m 22 m in individual carton	30005119.00300 30005119.00500 30005119.00700 30005119.01000 30004024
C-profile for rubber made of aluminium	2 1 m 2 m	40014487 40014219
Stop buffer OSE-D-B5518	3 Incl. fixing screw	40012274
Adapter for OSE	4 Transmitter / receiver Ø 11 mm to Ø 22 mm	40013321
Battery for WSD	5 Replacement, suitable for WSD (3.6 V) 1 pc 10 pc 40 pc Average service life of 1.5 years, approx.	40017039 40017079 40017040
Splash guard	6 Mechanical protection against water; For WSD, spiral cable with junction box and junction end box	40017478.00001
Evaluator 647	7 For use with the WS 900 reversing contactor control A or another door control without connection option for OSE sensors. Allows the door movement to self-hold close; option to connect 2 OSE safety edges, as main closing edge, supply voltage 230 V, IP65	40013516

B The spiral cable plugged into the evaluator must be changed on-site from a plug-in to a screw connection.