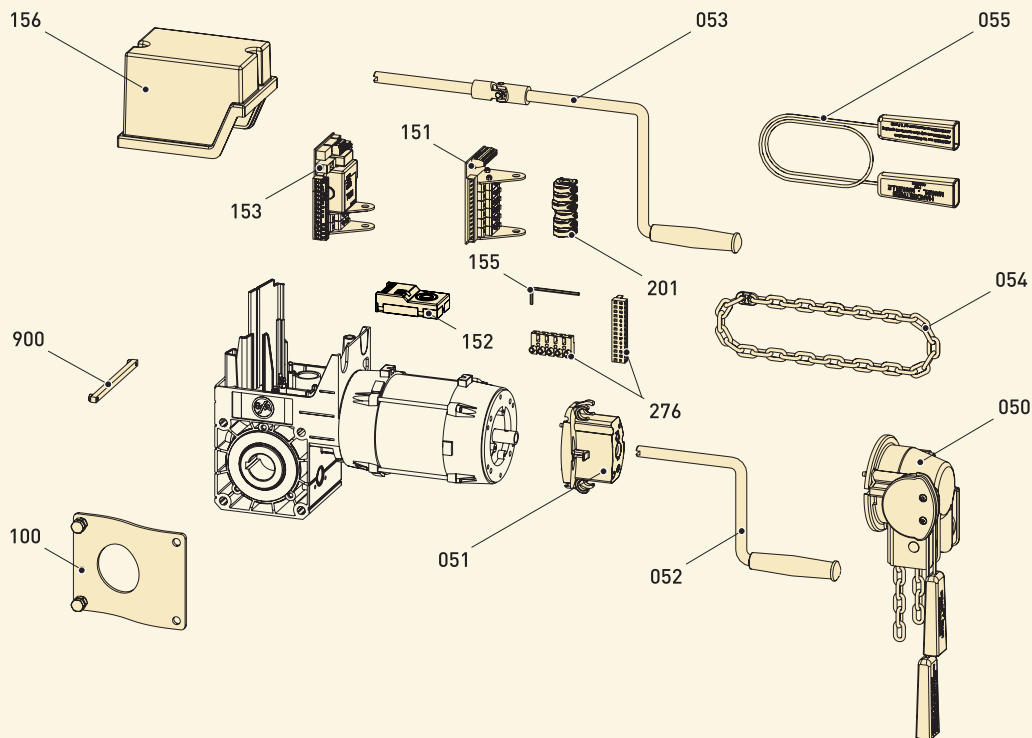


Pos.	Designation		Part no.
050	Emergency operation ¹⁾	SK ²⁾ Rapid hand chain operator 4 m (for all SE-drive; SE 14.15 ^{from 9/2012})	20002862.00021
		SK ²⁾ Rapid hand chain operator 4 m (SI 8.20 / KE 9.24 / KE 9.24 WS / ST 9.24)	20002862.00028
051		KNH25 Hand chain operator (SI 14.15 / SI 14.20 / SE 14.15 ^{up to 8/2012})	20002862.00032
052	Motor cover		20002862.00000
053	Hand crank switch ¹⁾		20002862.00001
054	Hand crank	Ø 10 mm	30002591
055	Hand crank with knuckle joint	Ø 10 mm	30002715
056	Hand chain extension	2 m	30004555.00002
		4 m	30004555.00004
		6 m	30004555.00006
		8 m	30004555.00008
		10 m	30004555.00010
057	Shifter cable extension	2 x 4 m	30003965
		2 x 7 m	30004789
		2 x 10 m	30004242
058	Gear release mechanism set	only for SG50E	20002802.00001
100	Assembling kit	Foot angle	20002492.00002
101		Torque mount	30002636
102		Flange bracket	30002685
151	Limit switch unit	NES 6 micro / 7 micro	30003040 / 30003041
152		DES 4	30004757
155	Hex wrench		40000148
156	Cover ¹⁾	NES	30002345
157	Cover ¹⁾	DES	30005363
200	Assembling kit limit cams	6 micro	20002496.00001
276	Connection plugs	14/5-pole for NES	30003380
302	Hand wheel	for ST drive units	30004097
900	Key cpl. for	Ø 25 mm / Ø 30 mm (B 8 x 7 x 130)	30000979
		Ø 25,4 mm / Ø 31,75 mm (B 6,35 x 6,35 x 130)	30000958
		Ø 25,4 mm (B 6,35 x 9,525 x 130)	30002661
901	Tub shaft cpl.	Ø 25 mm	30002596
		Ø 25,4 mm	30002628
		Ø 31,75 mm	30002699
910	Bracket SG50 cpl.		30005056

¹⁾ Not for drive units in accordance to ATEX specification;

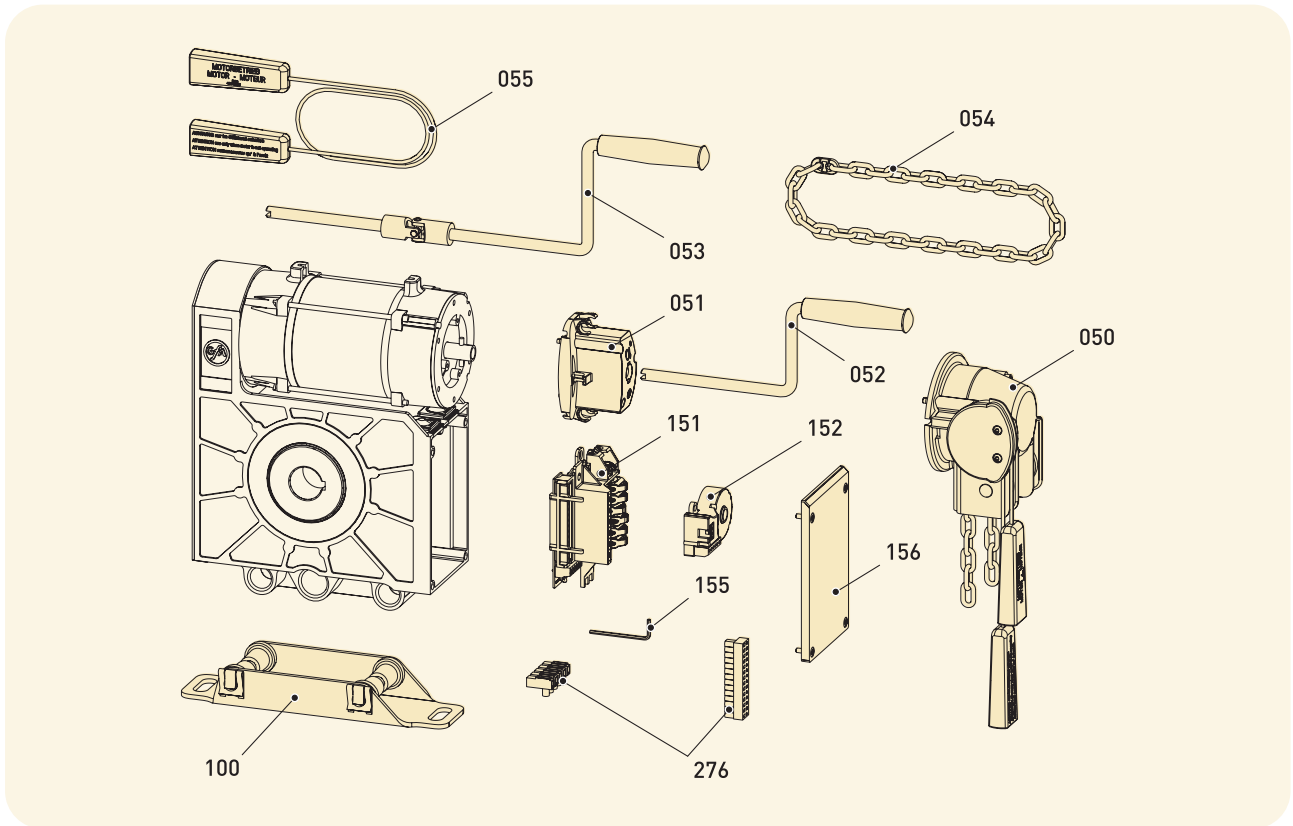
²⁾ The following applies to drive units up to 2022: please see page 9.061

Subject to technical alterations - on request, we supply article- and/or model-specific lists of spare parts



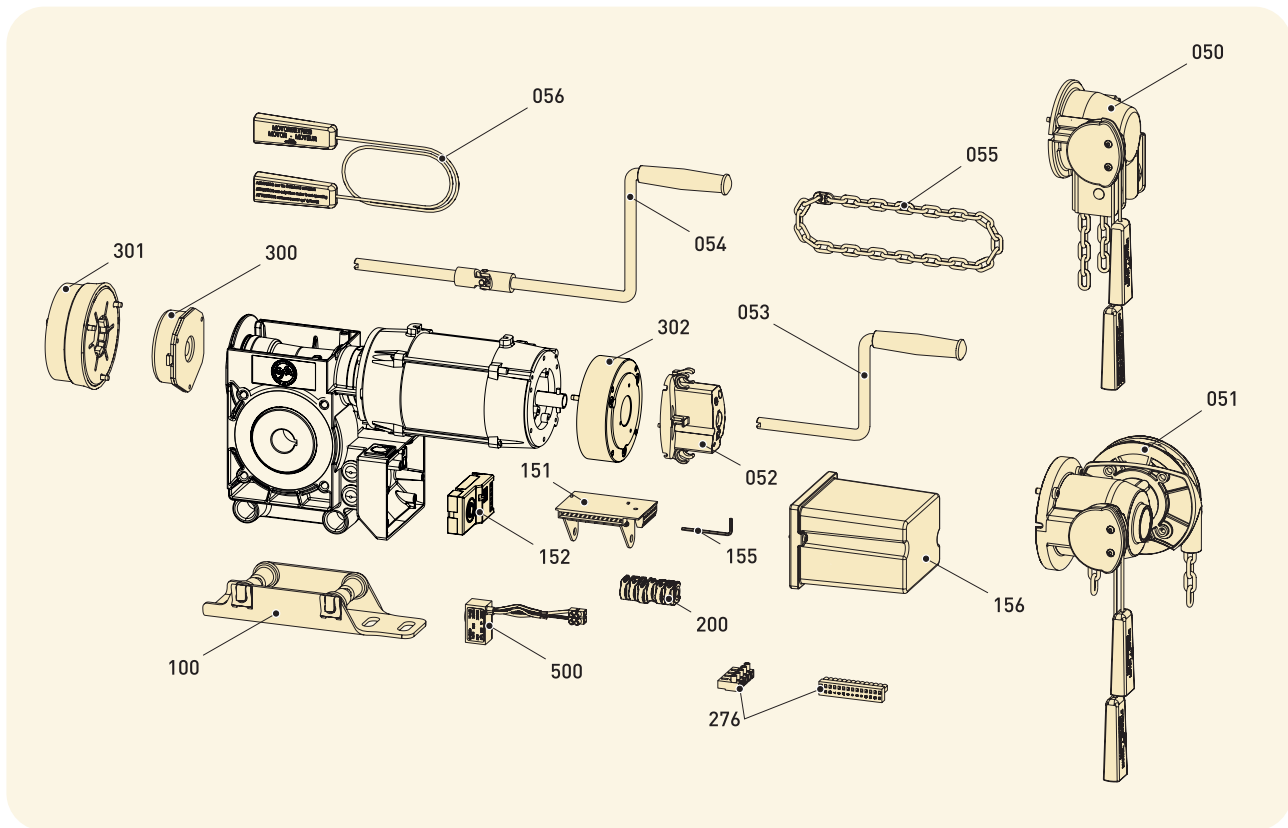
Pos.	Designation		Part no.
050	Emergency operation	SK Rapid hand chain operator 4 m	20002862.00021
051	Hand crank switch		20002862.00001
052	Hand crank	Ø 10 mm	30002591
053	Hand crank with knuckle joint	Ø 10 mm	30002715
054	Hand chain extension	2 m	30004555.00002
		4 m	30004555.00004
		6 m	30004555.00006
		8 m	30004555.00008
		10 m	30004555.00010
055	Shifter cable extension	2 x 4 m	30003965
		2 x 7 m	30004789
		2 x 10 m	30004242
100	Assembling kit	Torque mount	30002636
151	Limit switch unit	NES 6 micro	30003040
152		DES 4	30004757
153		NES 2 micro - T 801	30005049
155	Hex wrench		40000148
156	Cover		30002345
201	Assembling kit limit cams	6 micro	20002496.00001
276	Connection plugs	14/5-pole for NES	30003380
900	Key cpl. for	Ø 25,4 mm / Ø 31,75 mm (B 6,35 x 6,35 x 130)	30000958
		Ø 25,4 mm (B 6,35 x 9,525 x 130)	30002661

Subject to technical alterations - on request, we supply article- and/or model-specific lists of spare parts



Pos.	Designation		Part no.
050	Emergency operation	SK ¹⁾ Rapid hand chain operator 4 m	20002862.00021
051	Hand crank switch		20002862.00001
052	Hand crank	Ø 10 mm	30002591
053	Hand crank with knuckle joint	Ø 10 mm	30002715
054	Hand chain extension	2 m	30004555.00002
		4 m	30004555.00004
		6 m	30004555.00006
		8 m	30004555.00008
		10 m	30004555.00010
055	Shifter cable extension	2 x 4 m	30003965
		2 x 7 m	30004789
		2 x 10 m	30004242
100	Assembling kit	Floating foot	20002773.00001
151	Limit switch unit	NES 6 micro	20003106.00001
152	Hex wrench	DES 3	40019982
155	Hex wrench		40000148
156	Cover		30002706
276	Connection plugs	14/5-pole for NES	30003380

¹⁾ The following applies to drive units up to 2022: please see page 9.061
Subject to technical alterations - on request, we supply article- and/or model-specific lists of spare parts



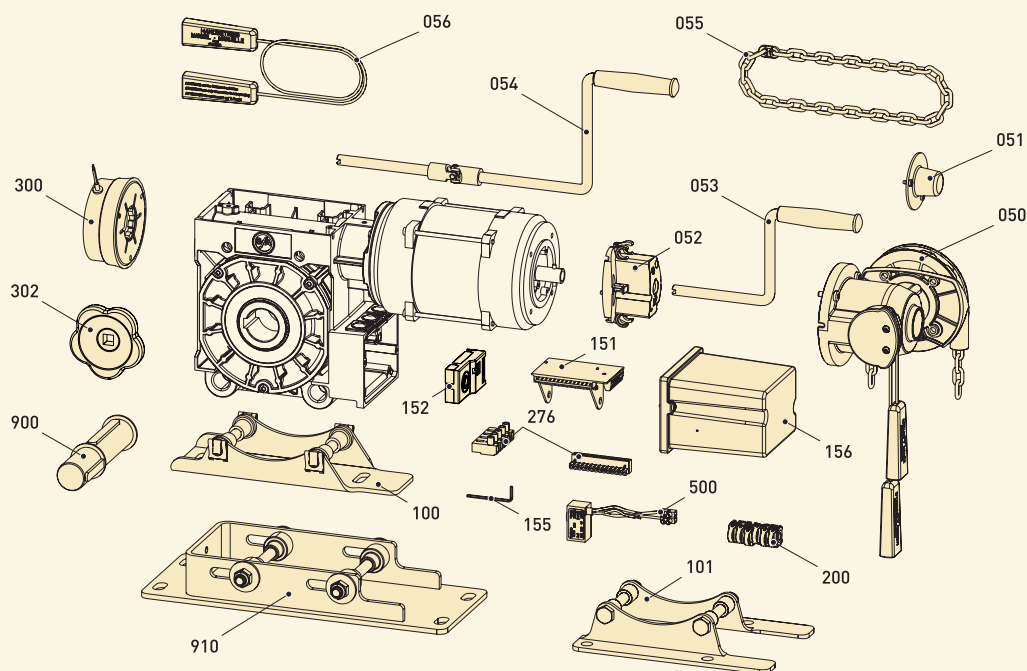
Pos.	Designation		Part no.
050	Emergency operation	SK ¹⁾ Rapid hand chain operator 4 m (SI 10.15)	20002862.00028
051	Emergency operation	KNH25 Hand chain operator 4 m (for all SG63F, except SI 10.15)	20002862.00032
052	Hand crank switch	for: SI 10.15 and all ELEKTROMATEN FI for: SI 17.15 / SI 17.24 / SI63 25.15	20002862.00001 20002862.00011
053	Hand crank	Ø 10 mm / for: SI 10.15 and all ELEKTROMATEN FI Ø 12 mm / for: SI 17.15 / SI 17.24 / SI63 25.15	30002591 30002749
054	Hand crank with knuckle joint	Ø 10 mm / for: SI 10.15 and all ELEKTROMATEN FI Ø 12 mm / for: SI 17.15 / SI 17.24 / SI63 25.15	30002715 30002750
055	Hand chain extension	2 m 4 m 6 m 8 m 10 m	30004555.00002 30004555.00004 30004555.00006 30004555.00008 30004555.00010
056	Shifter cable extension	2 x 4 m 2 x 7 m 2 x 10 m	30003965 30004789 30004242
100	Assembling kit	Floating foot	20002641.00001
151	Limit switch unit	NES 6 micro / 7 micro	30003040 / 30003041
152		DES 4	30004757
155	Hex wrench		40000148
156	Cover		30004298
200	Assembling kit limit cams	6 micro	20002496.00001
276	Connection plugs	14/5-pole for NES	30003380
300	Brake unit gearbox	2 Nm, 102 V ²⁾ (SI 17.24 ³⁾)	20002959.02001
301	Brake unit gearbox	9 Nm, 102 V/130 V ²⁾ (SI 13.100 FI ⁴⁾)	20002959.09204
302	Brake unit motor for NHK	5 Nm, 102 V / 130 V ²⁾ (for SI 17.24 ⁵⁾ / SG63F with Motor FI ⁴⁾)	20003352.05590
	Brake unit motor for KNH	5 Nm, 102 V / 130 V ²⁾ (for SI 17.24 ⁵⁾ / SG63F with Motor FI ⁴⁾)	20003352.05591
500	Rectifier EGR II ²⁾	only for drive units with brake	20003369.00001

1) The following applies to drive units up to 2022: please see page 9.061 -

2) Standard configuration for 3-230 V/400 V-50 Hz - 3) Up to approx. 02/2021 - 4) Up to approx. 07/2020 - 5) From approx. 03/2021 - 6) From approx. 08/2020

Other versions are available in addition to the listed replacement brake sets. Please contact your sales representative in case of doubt. Please write down in advance the part and serial number of the drive unit.

Subject to technical alterations - on request, we supply article- and/or model-specific lists of spare parts



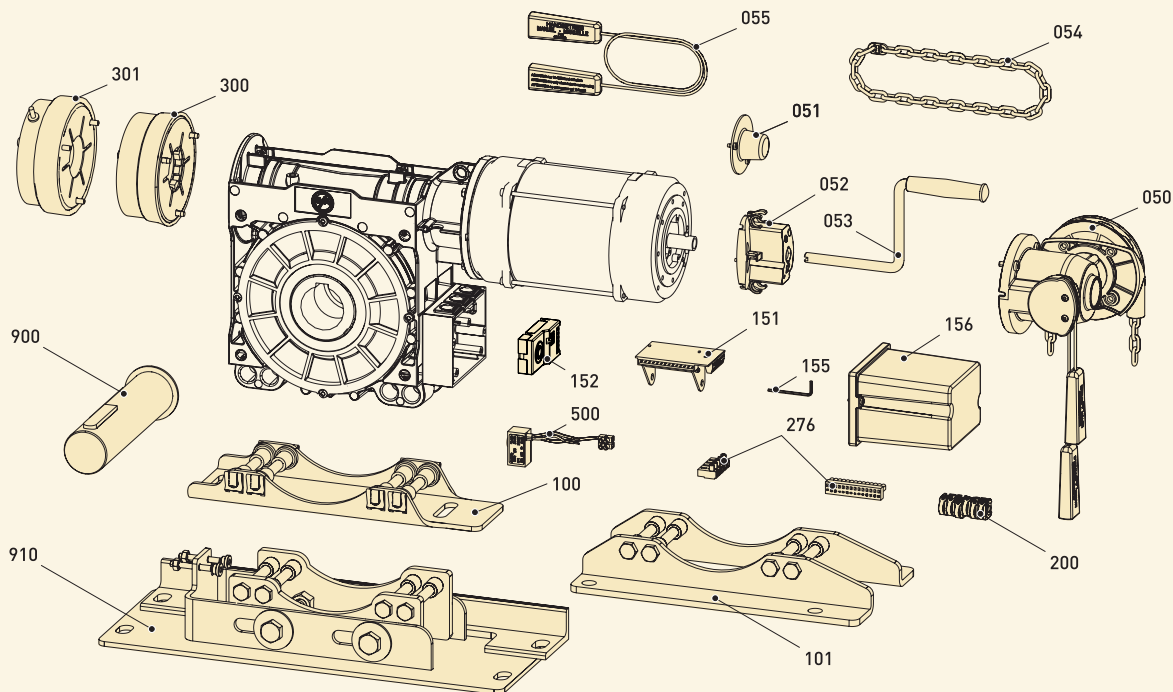
Pos.	Designation		Part no.
050	Emergency operation ^{1), 2)}	KNH25 Hand chain operator 4 m for: KE 20.24 / SI 8.200 FI / SI 10.70 / SI 10.160 FI / SI 10.200 FI / SI 13.70 / SI 15.140 FI / SI 20.100 FI / SI 25.10 / SI 25.15 / SI 25.15 WS / SI 40.10 / SI 40.15 / SI 45.7 WS	20002862.00032
		KNH60 Hand chain operator 4 m for: KE 30.24 / KE 40.24 / SI 12.140 FI / SI 15.120 FI / SI 20.90 / SI 25.24 / SI 25.35 / SI 25.60 / SI 25.60 FI / SI 25.80 FI / SI 25.150 FI / SI 35.30 / SI 35.100 FI / SI 40.24 / SI 40.40 FI / SI 45.60 FI / SI 55.10 / SI 55.15 / SI 55.40 FI	20002862.00042
051	Motor cover		20002862.00000
052	Hand crank switch ¹⁾		20002862.00011
053	Hand crank	Ø 12 mm	30002749
054	Hand crank with knuckle joint	Ø 12 mm	30002750
055	Hand chain extension	2 m	30004555.00002
		4 m	30004555.00004
		6 m	30004555.00006
		8 m	30004555.00008
		10 m	30004555.00010
056	Shifter cable extension	2 x 4 m	30003965
		2 x 7 m	30004789
		2 x 10 m	30004242
100	Assembling kit	Floating foot	20002494.00001
101		Foot angle	20002494.00006
151	Limit switch unit	NES 6 micro / 7 micro	30003040 / 30003041
152		DES 4	30004757
155	Hex wrench		40000148
156	Cover ¹⁾		30004298
200	Assembling kit limit cams	6 micro	20002496.00001
276	Connection plugs	14/5-pole for NES	30003380
300	Brake unit	9 Nm, 102 V/130 V ³⁾	20002959.09104
302	Hand wheel	for ST drive units	30004098
500	Rectifier EGR II ³⁾	only for drive units with brake	20003369.00001
900	Stub shaft cpl.	Ø 40 mm	30002637
910	Bracket SG85 cpl.		30005055

¹⁾ Not for drive units in accordance to ATEX specification

²⁾ Please contact us if of your drive unit is not listed

³⁾ Standard configuration for 3-230 V/400 V-50 Hz; Other versions are available in addition to the listed replacement brake sets. Please contact your sales representative in case of doubt. Please write down in advance the part and serial number of the drive unit.

Subject to technical alterations - on request, we supply article- and/or model-specific lists of spare parts



Pos.	Designation		Part no.
050	Emergency operation ¹⁾	KNH60 Hand chain operator 7 m	20002862.00043
051	Motor cover		20002862.00000
052	Hand crank switch ¹⁾		20002862.00011
053	Hand crank	Ø 12 mm	30003112
054	Hand chain extension	2 m	30004555.00002
		4 m	30004555.00004
		6 m	30004555.00006
		8 m	30004555.00008
		10 m	30004555.00010
055	Shifter cable extension	2 x 4 m	30003965
		2 x 7 m	30004789
		2 x 10 m	30004242
100	Assembling kit	Floating foot	20002495.00001
101		Foot angle	20002495.00002
151	Limit switch unit	NES 6 micro / 7 micro	30003040 / 30003041
152		DES 4	30004757
155	Hex wrench		40000148
156	Cover ¹⁾		30004298
200	Assembling kit limit cams	6 micro	20002496.00001
276	Connection plugs	14/5-pole for NES	30003380
300	Brake unit	9 Nm, 102 V/130 V ²⁾ (for KE 60.24 / SI 60.24)	20002959.09104
301		20 Nm, 102 V/130 V ²⁾ (for all other drive units with brake)	20002959.20004
500	Rectifier EGR II ²⁾	(only for drive units with brake)	20003369.00001
900	Stub shaft cpl.	Ø 55 mm	30003078
910	Bracket SG115 cpl.		30005100

¹⁾ Not for drive units in accordance to ATEX specification

²⁾ Standard configuration for 3-230 V/400 V-50 Hz; Other versions are available in addition to the listed replacement brake sets. Please contact your sales representative in case of doubt. Please write down in advance the part and serial number of the drive unit.

Subject to technical alterations - on request, we supply article- and/or model-specific lists of spare parts